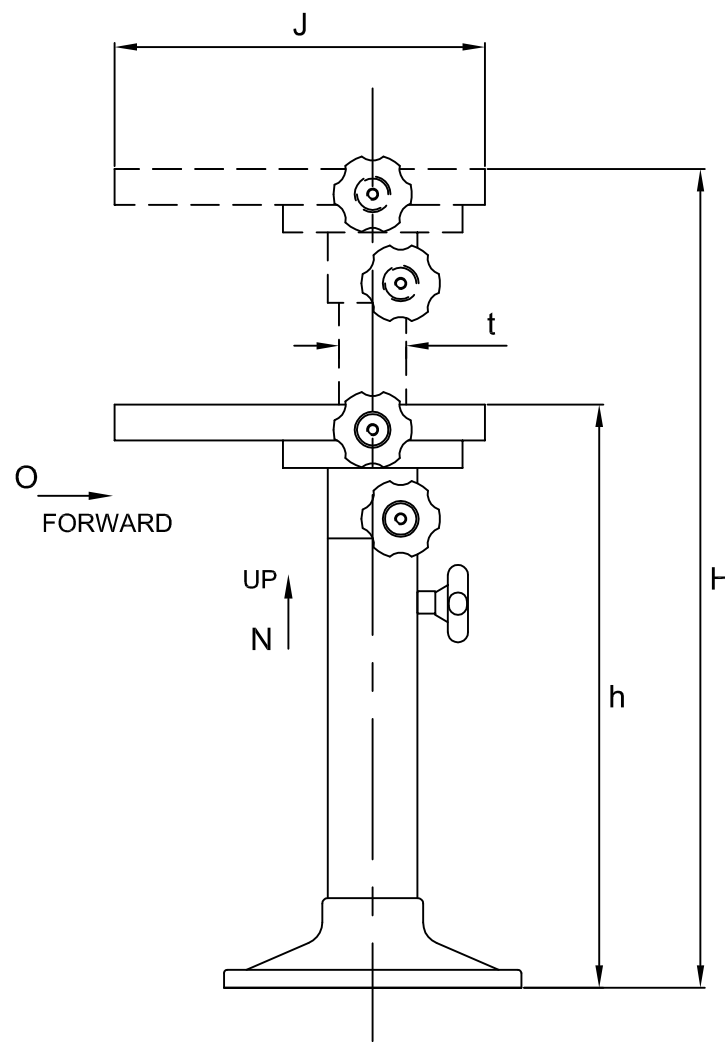
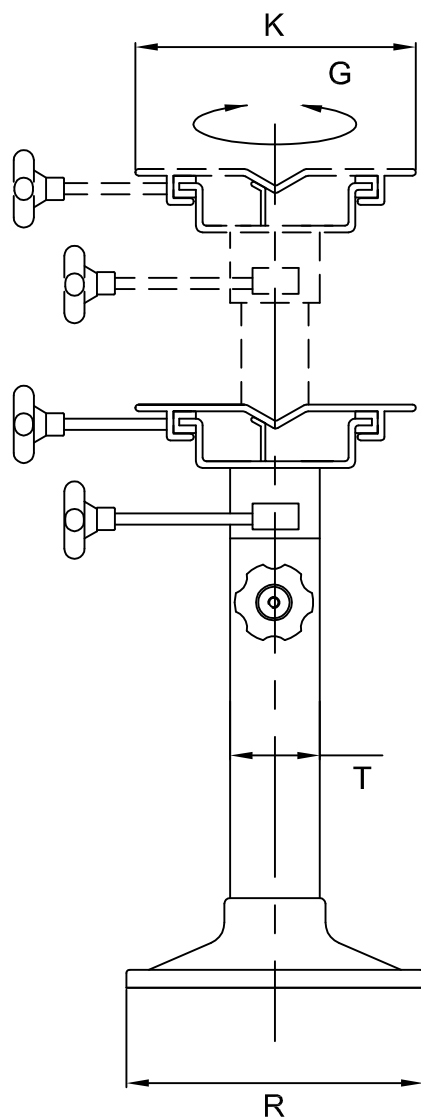


G (°)	360
h (mm)	520
H (mm)	730
J (mm)	330
K (mm)	250
N (mm)	210
O (mm)	110
R (mm)	Ø 265
t (mm)	Ø 60
T (mm)	Ø 80
Weight (Kg)	5



Product

S 181

Manual Helm Seat Pedestal